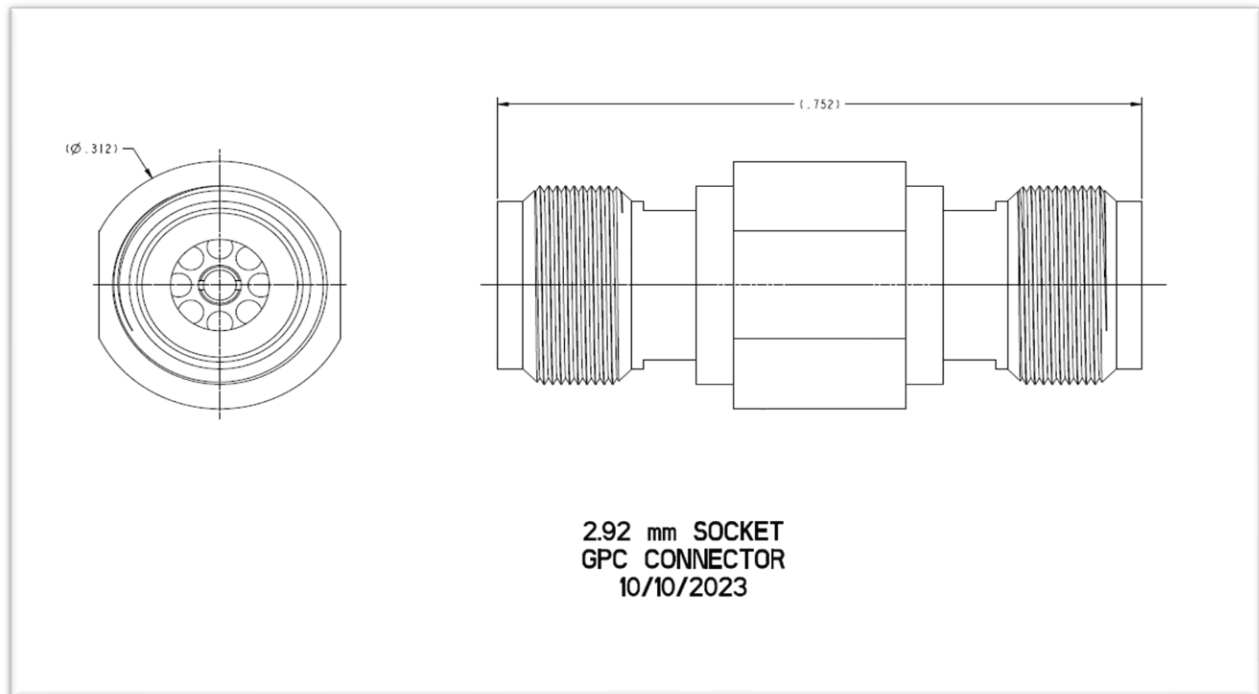




RCL Microwave, Inc.
P/N - DHB-29F29F-A
CONNECTOR ADAPTER
2.9mm TO 2.9mm
JACK - JACK

Product Features:

- 2.92mm Female to 2.92mm Female
- Characteristic Impedance $50\Omega \pm 2\Omega$
- Material is gold plated brass
- Orientation: Straight
- Mount Type: None
- RoHS Compliance: Yes



RCL Microwave, Inc.
P/N - DHB-29F29F-A
CONNECTOR ADAPTER
2.9mm TO 2.9mm
JACK - JACK

